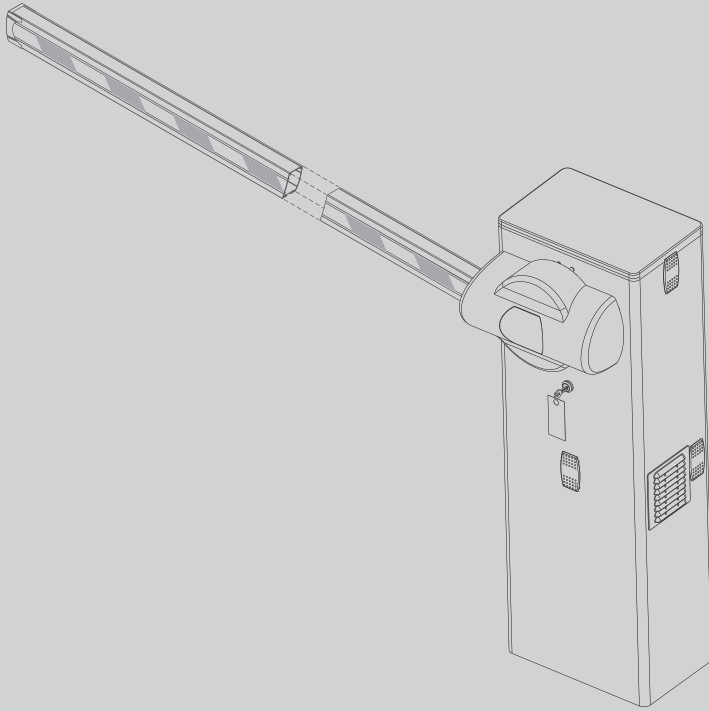




D811997 00100_01 25-03-13

AUTOMATISMO ELETTROMECCANICO PER BARRIERA VEICOLARE
ELECTROMECHANICAL CONTROL DEVICE FOR VEHICULAR BARRIERS
AUTOMATISME ELECTROMECHANIQUE POUR BARRIERE POUR VÉHICULES
ELEKTROMECHANISCHER ANTRIEB FÜR FAHRZEUGSCHRANKEN
AUTOMATISMOS ELECTROMECHANICOS PARA BARRERAS VEHICULAR
ELEKTROMECHANISCH AUTOMATISERINGSSYSTEEM VOOR SLAGBOOM



ISTRUZIONI D'USO E DI INSTALLAZIONE
INSTALLATION AND USER'S MANUAL
INSTRUCTIONS D'UTILISATION ET D'INSTALLATION
INSTALLATIONS-UND GEBRAUCHSANLEITUNG
INSTRUCCIONES DE USO Y DE INSTALACION
GEBRUIKS- EN INSTALLATIEAANWIJZINGEN

MOOVI 30-60 - ALPHA BOM



AZIENDA CON SISTEMA DI GESTIONE
INTEGRATO CERTIFICATO DA DNV
= UNI EN ISO 9001:2008 =
UNI EN ISO 14001:2004

Attenzione! Leggere attentamente le "Avvertenze" all'interno! **Caution!** Read "Warnings" inside carefully! **Attention!** Veuillez lire attentivement les Avertissements qui se trouvent à l'intérieur!
Achtung! Bitte lesen Sie aufmerksam die „Hinweise“ im Inneren! **¡Atención!** Leer atentamente las "Advertencias" en el interior! **Let op!** Lees de "Waarschuwingen" aan de binnenkant zorgvuldig!

INSTALLAZIONE VELOCE-QUICK INSTALLATION-INSTALLATION RAPIDE
 SCHNELLINSTALLATION-INSTALACION RÁPIDA - SNELLE INSTALLATIE

ITALIANO

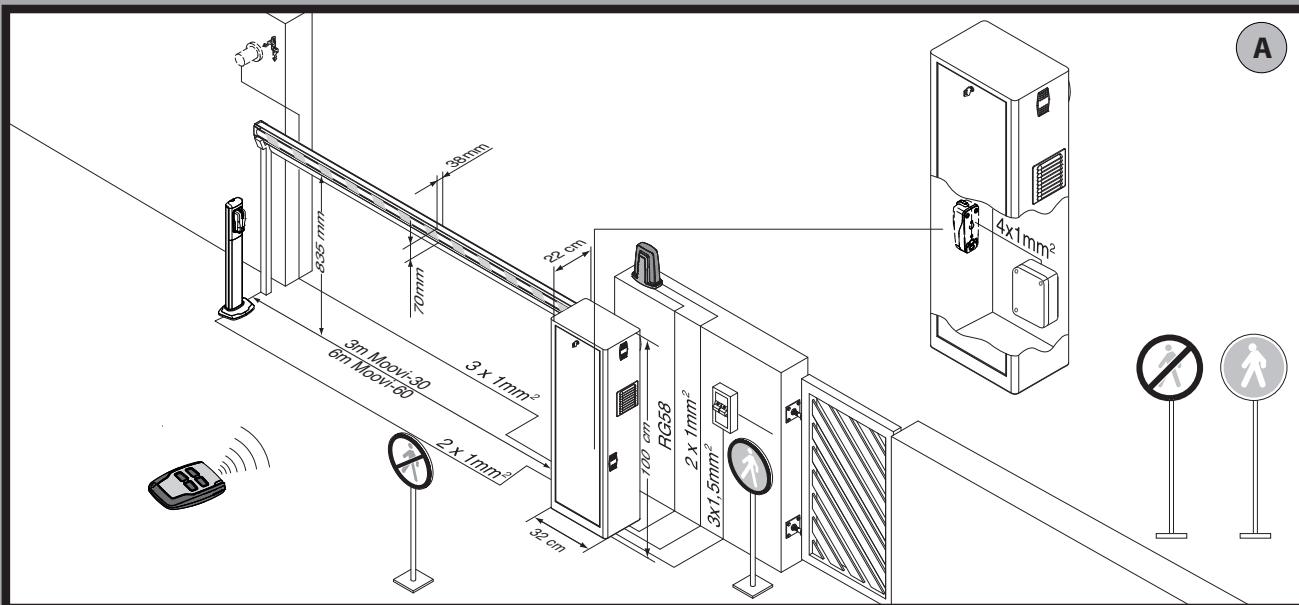
ENGLISH

FRANÇAIS

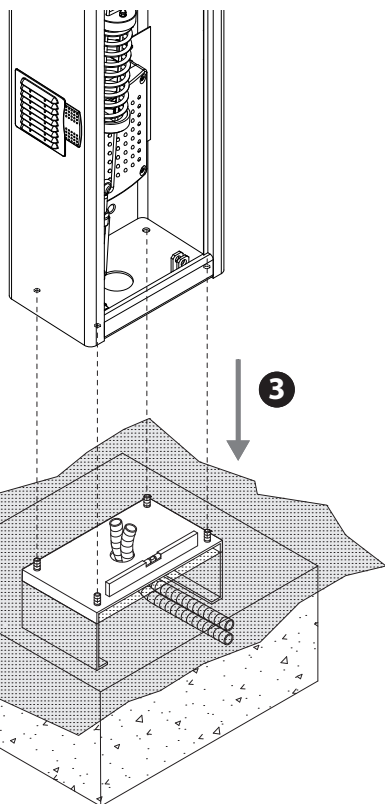
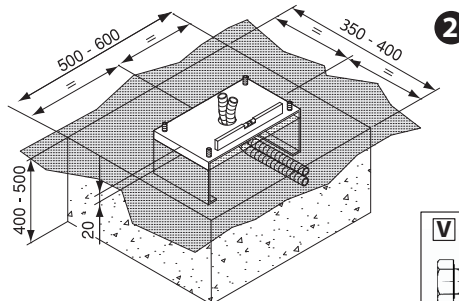
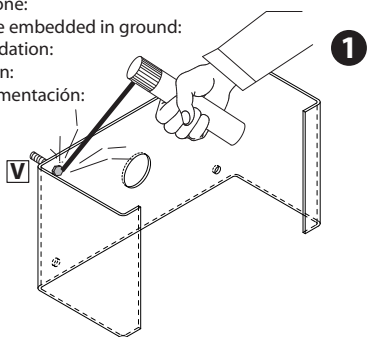
DEUTSCH

ESPAÑOL

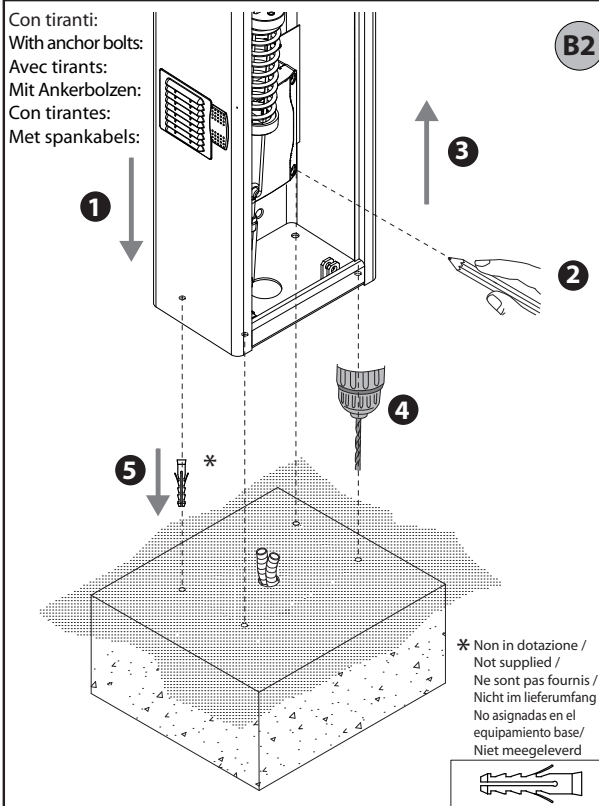
NEDERLANDS



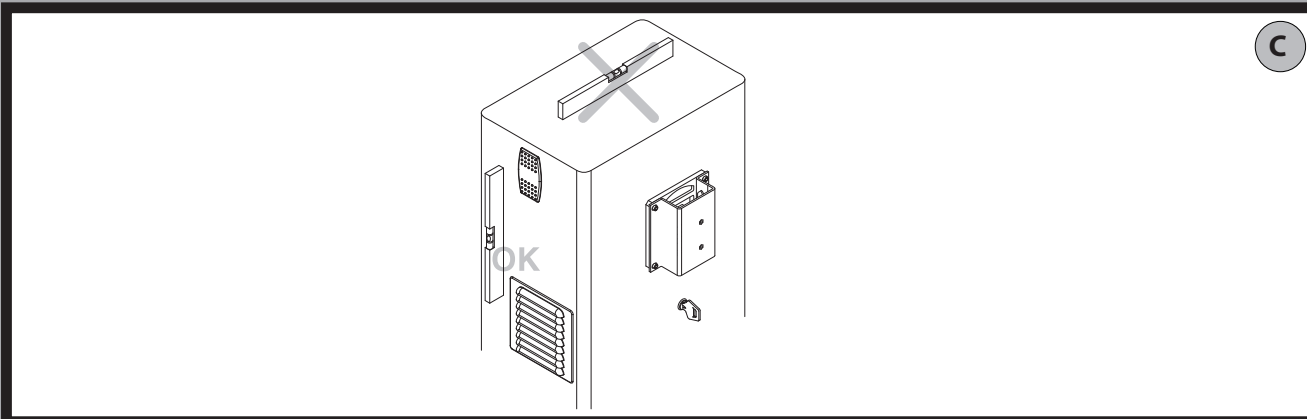
Con scavo di fondazione:
 With foundation plate embedded in ground:
 Avec tranchée de fondation:
 Mit Fundamentgraben:
 Con excavación de cimentación:
 Met uitgraving:



Con tiranti:
 With anchor bolts:
 Avec tirants:
 Mit Ankerbolzen:
 Con tirantes:
 Met spankabels:



* Non in dotazione /
 Not supplied /
 Ne sont pas fournis /
 Nicht im Lieferumfang /
 No asignadas en el
 equipamiento base/
 Niet meegeleverd



C

Montaggio Asta, Assembly of boom, Montage de la barre, Montage der Stange, Montaje mástil, Montage stang.

Assicurarsi che la molla non sia in tensione.
 Make sure the spring is not under tension.
 Vérifiez si le ressort n'est pas en tension.
 Sicherstellen, dass die Feder nicht gespannt.
 Asegurarse de que el muelle no esté tensado.
 Controleren of de veer niet onder spanning staat.

Per montaggio aste fare riferimento ai manuali
 See manuals for boom assembly
 Pour monter les barres consultez les manuels
 Bitte nehmen Sie für die Montage der Stange auf die Handbücher Bezug
 Para montar los mástiles consultar los manuales
 Raadpleeg de handleidingen voor de montage van de bomen

D

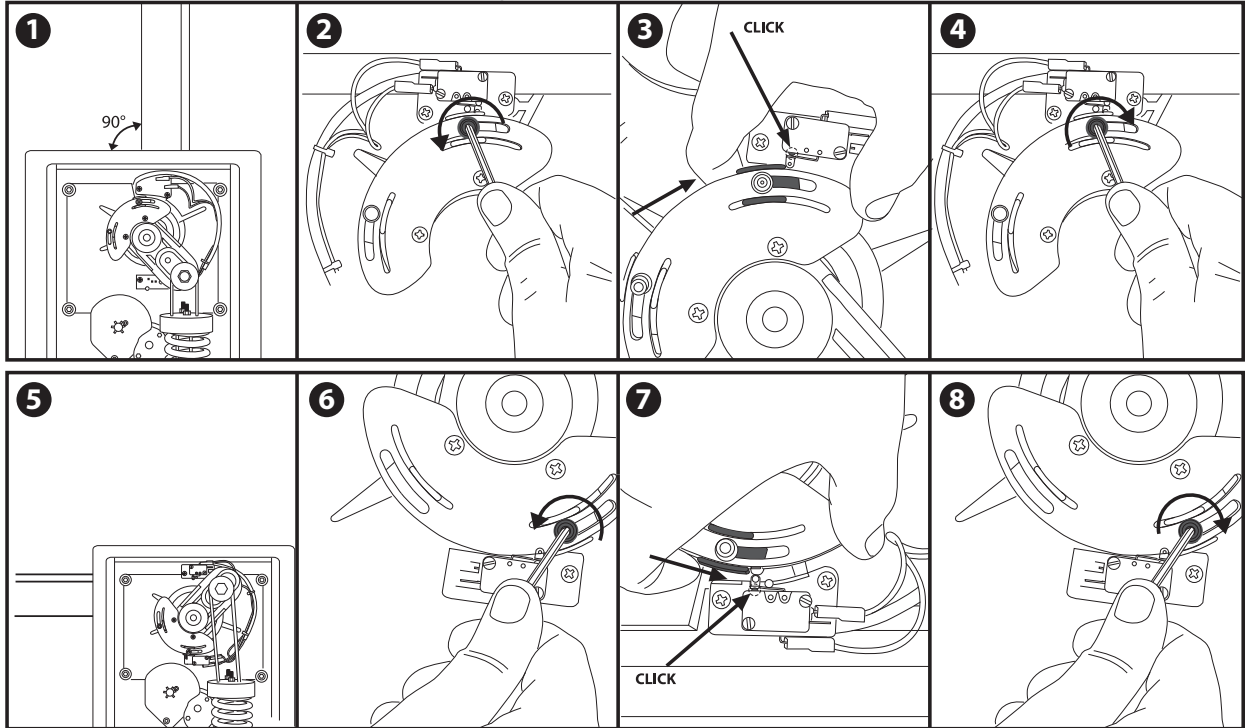
Collegamenti morsettiera, Terminal board wiring, Branchements sur le bornier, Anschlüsse Klemmleiste, Conexiones tablero de bornes, Aansluitingen aansluitkast.

F

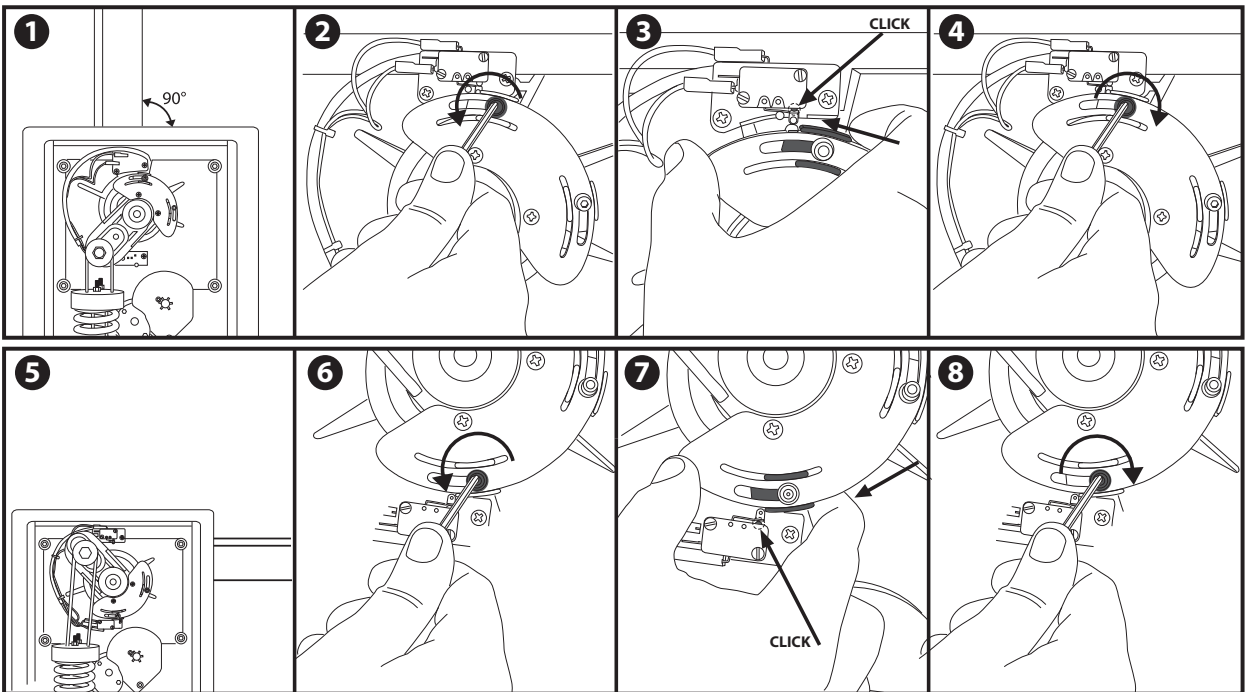
REGOLAZIONE FINECORSO, ADJUSTING THE LIMIT SWITCHES, RÉGLAGE DE LA FIN DE COURSE, EINSTELLUNG DER ENDSCHALTER, REGULACIÓN DE LOS FINALES DE CARRERA, REGELING EINDAANSLAGEN

G

Destra / Right / Droite / Rechts / Derecha / Direita

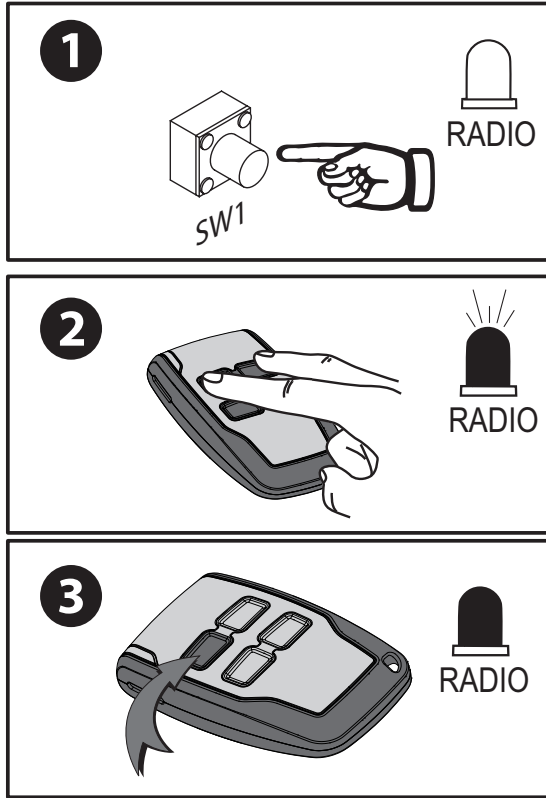


Sinistra / Left / Gauche / Links / Izquierda / Esquerda



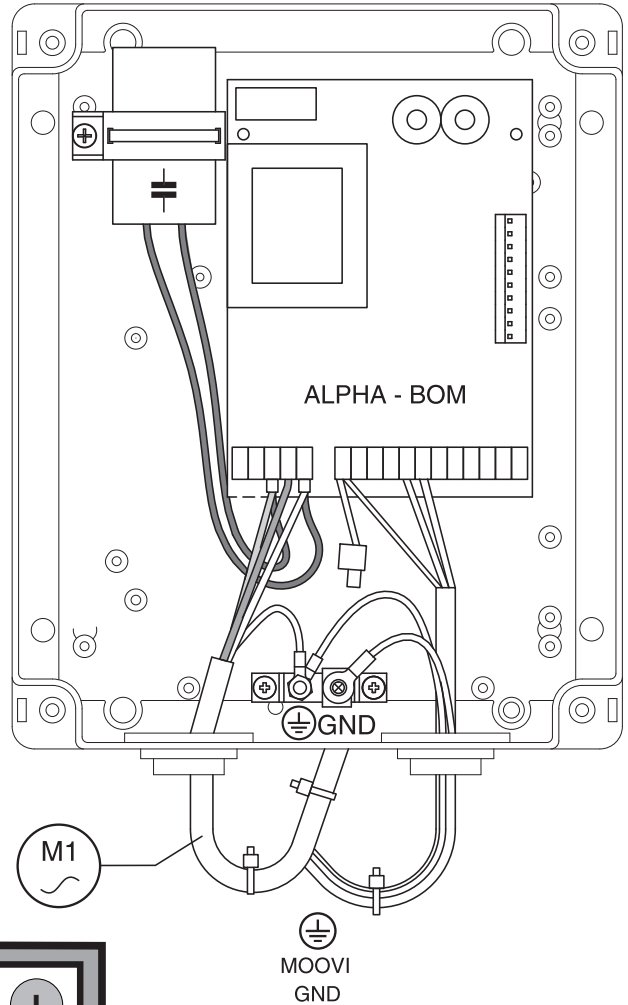
**MEMORIZZAZIONE RADIOCOMANDO (START),
MEMORIZING REMOTE CONTROLS (START),
MÉMORISATION DE LA RADIOCOMMANDE (START),
ABSPEICHERUNG DER FERNBEDIENUNG (START),
MEMORIZACIÓN DEL RADIOMANDO (START),
MEMORISEREN AFSTANDSBDIENING (START).**

H

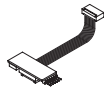


**Cablaggio generale, General Wiring,
Câblage général, Allgemeine Verkabelung,
Cableado General, Algemene Bekabeling.**

I

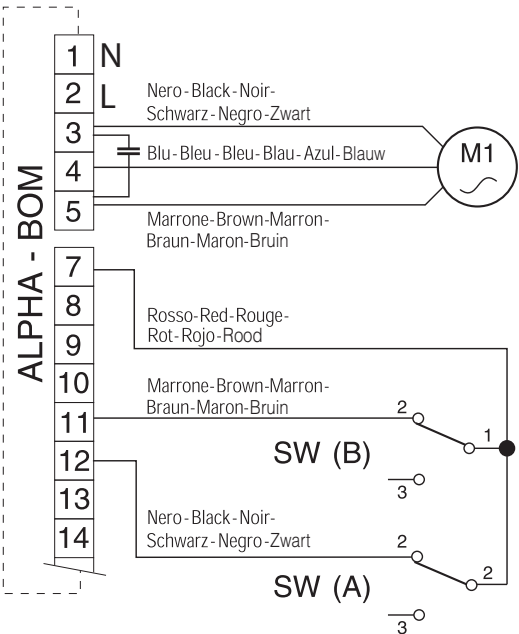
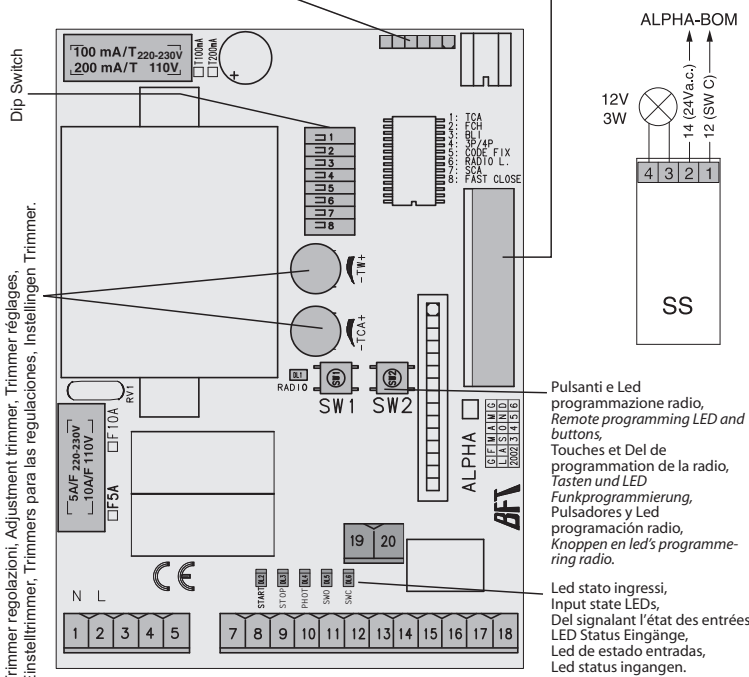


Connettore programmatore palmare,
Palmtop programmer connector,
Connecteur programmeur de poche,
Steckverbinder Palmtop-Programmierer
Conector del programador de bolsillo,
Connector programmeerbare palmtop.



Connettore ricevente radio opzionale,
Optional radio-receiver connector,
Connecteur facultatif pour récepteur radio,
Steckverbindung zusätzlicher Funkempfänger,
Conector receptor radio opcional,
Optionele connector radio-ontvanger.

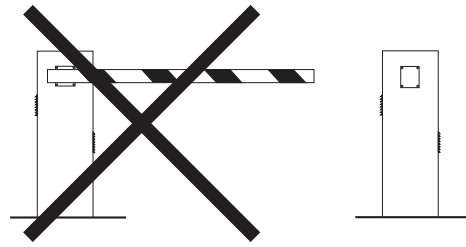
J



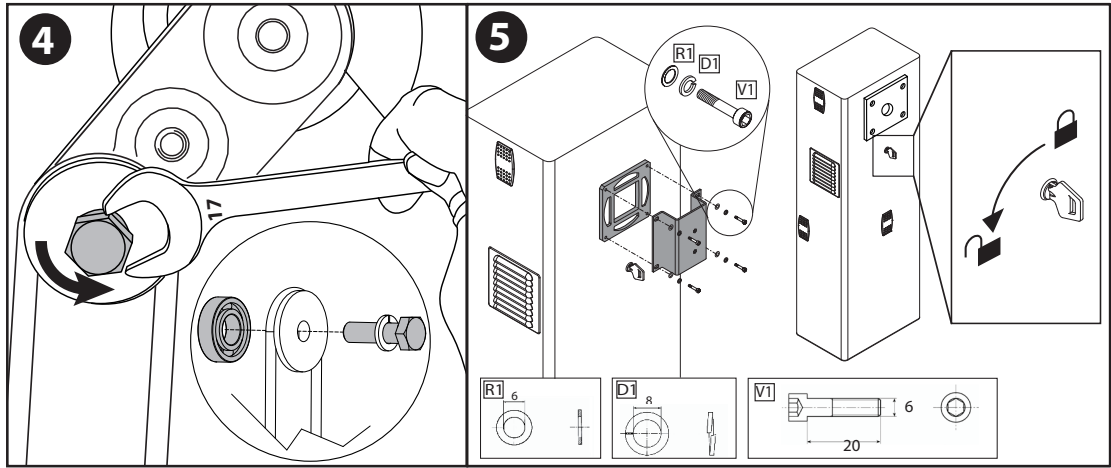
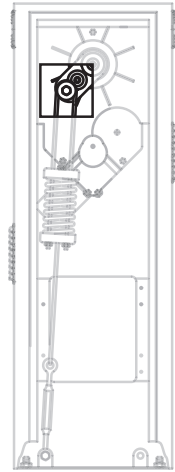
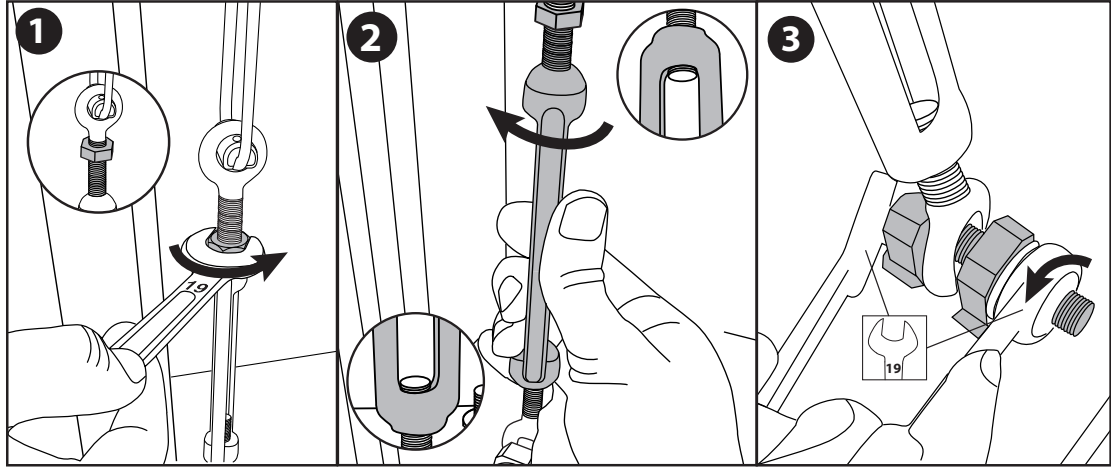
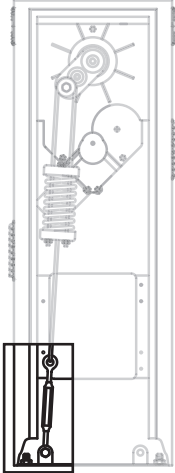
MONTAGGIO ASTA DESTRA, ASSEMBLY OF RIGHT BOOM, MONTAGE DE LA BARRE DROITE, RECHTE MONTAGE DER STANGE, MONTAJE MÁSTIL DERECHO, MONTAGE RECHTERSTANG.

AA

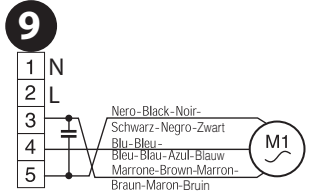
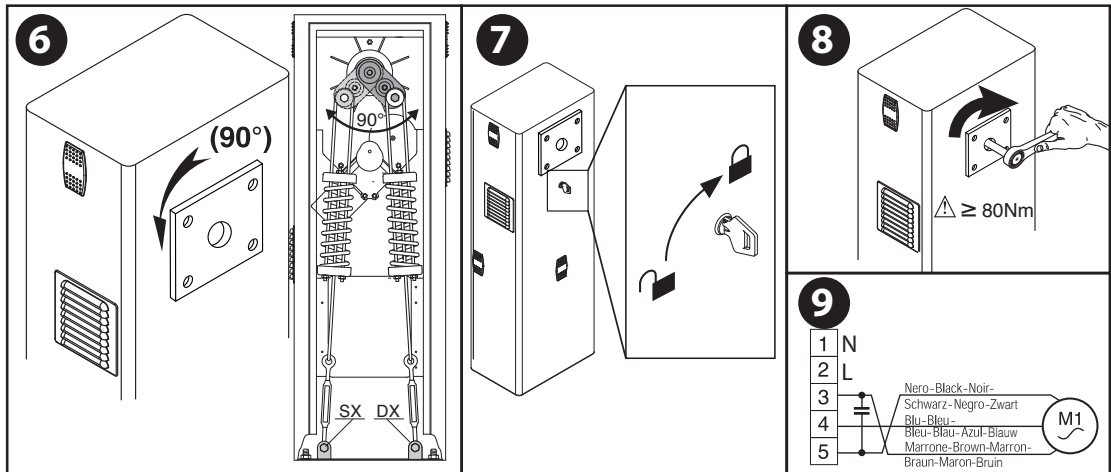
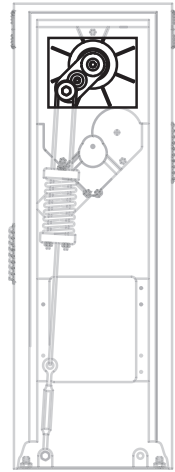
Assicurarsi che la molla non sia in tensione, e l'asta non sia montata.
 Make sure the spring is not under tension and the boom is not fitted.
 Vérifiez si le ressort n'est pas en tension et si la tige n'est pas montée.
 Sicherstellen, dass die Feder nicht gespannt und die Stange nicht montiert ist.
 Asegurarse de que el muelle no esté tensado y de que el mástil no esté montado.
 Controleren of de veer niet onder spanning staat, en de stang niet gemonteerd is.

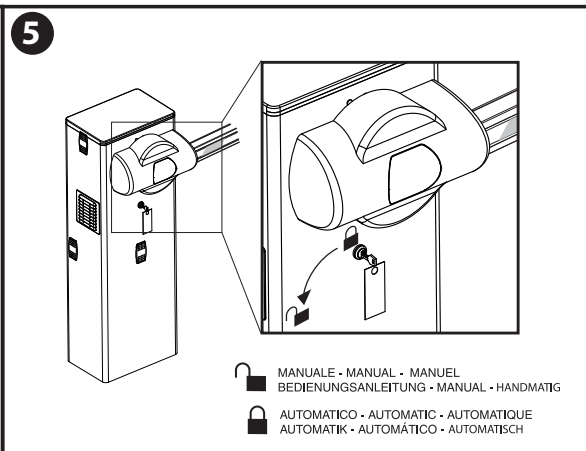
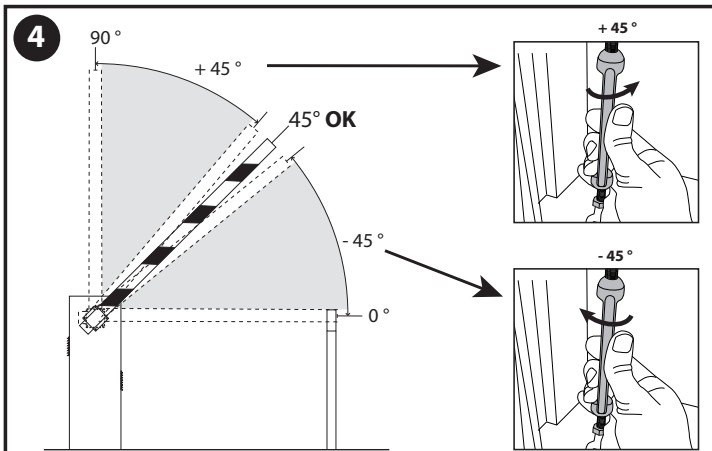
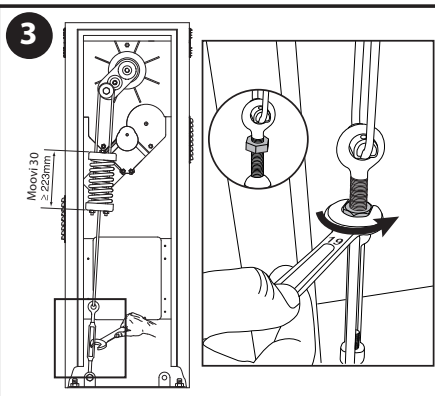
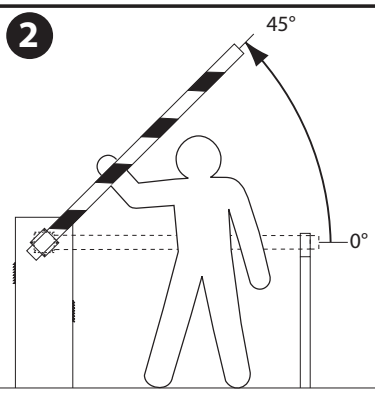
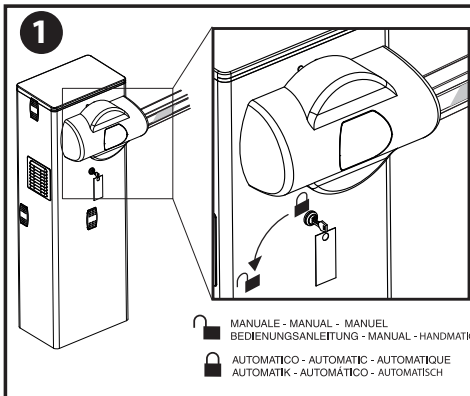


Smontare il gruppo molla, Remove the spring assembly, Démontez le groupe ressort, Die Feder-Baugruppe ausbauen, Desmontar el grupo muelle, De groep veer demonteren.



Rimontare il gruppo molla a destra, Refit the right-hand spring assembly, Remontez le groupe ressort à droite, Die Baugruppe neu montieren, Feder rechts, Volver a montar el grupo muelle a la derecha, De veergroep opnieuw rechts monteren.





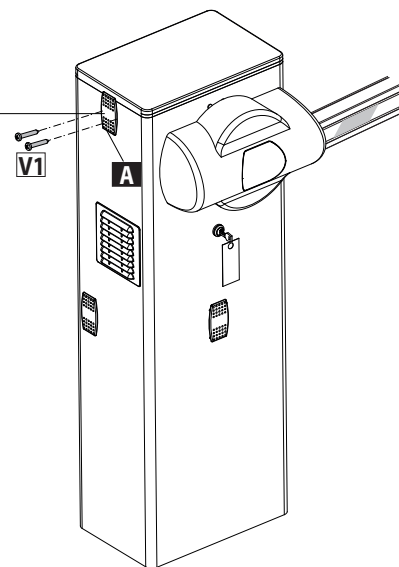
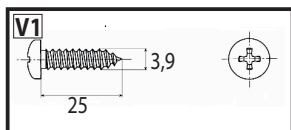
MONTAGGIO LAMPEGGIANTE, FITTING THE FLASHING LIGHT, MONTAGE DU CLIGNOTANT, MONTAGE DER BLINKLEUCHE, MONTAJE DEL INDICADOR PARPADEANTE, MONTAGE FOTOCEL

Per l'installazione del lampeggiante fare riferimento ai manuali del lampeggiante
 See the flashing light's manual for instructions on installing the flashing light
 Pour monter le clignotant consultez le manuel du clignotant
 Bitte nehmen Sie für die Installation der Blinkleuchte auf das Handbuch der Blinkleuchte Bezug
 Para instalar el indicador parpadeante consultar el manual del mismo
 Raadpleeg de handleiding van het zwaailicht voor de installatie van het zwaailicht

ATTENZIONE! togliere il coperchietto A
PLEASE NOTE! Remove cover A
ATTENTION! Retirez le couvercle A
ACHTUNG! Entfernen Sie die Abdeckung A
¡ATENCIÓN! Quitar la tapa A
OPGELET! Demonteer het klepje A

Installazione lampeggiante
 Installing the flashing light
 Installation du clignotant
 Installation der Blinkleuchte
 Instalación del indicador parpadeante
 Installatie zwaailicht

ATTENZIONE! fissare il lampeggiante alla barriera con la vite (V1)
PLEASE NOTE! Fasten the flashing light on the barrier using the screw (V1)
ATTENTION! Fixez le clignotant sur la barrière avec la vis (V1)
ACHTUNG! Befestigen Sie die Blinkleuchte mit der Schraube (V1) an der Schranke
¡ATENCIÓN! Fijar el indicador parpadeante a la barrea con el tornillo (V1)
OPGELET! Bevestig het zwaailicht met de schroef (V1) aan de slagboom



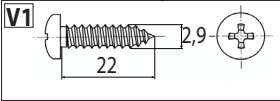
MONTAGGIO FOTOCELLULA, FITTING THE PHOTOCCELL , MONTAGE DE LA PHOTOCCELLULE, MONTAGE DER FOTOZELLE, MONTAJE DE LA FOTOCÉLULA, MONTAGE FOTOCCEL

AD

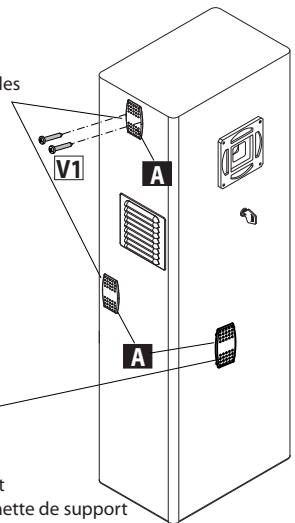
Per l'installazione della fotocellula e della fotocellula con supporto colonnina fare riferimento ai manuali delle fotocellule e ai manuali supporto colonnina
 See the photocell's manuals and post mount's manuals for instructions on installing the photocell and photocell with post mount
 Pour monter la photocellule et la photocellule avec colonnette de support consultez le manuel des photocellules et le manuel de la colonnette de support
 Bitte nehmen Sie für die Installation der Fotozelle und der Fotozelle mit Säulenhalterung auf das Handbuch der Fotozellen und auf das Handbuch der Säulenhalterung Bezug
 Para instalar la fotocélula y la fotocélula con soporte columna consultar el manual de las fotocélulas y el manual del soporte columna
 Raadpleeg de handleiding van de fotocellen en de handleiding van de steunpilaar voor de montage van de fotocel en de fotocel met steunpilaar

ATTENZIONE! togliere il coperchietto A
PLEASE NOTE! Remove cover A
ATTENTION ! Retirez le couvercle A
ACHTUNG! Entfernen Sie die Abdeckung A
¡ATENCIÓN! Quitar la tapa A
OPGELET! Demonteer het klepje A

ATTENZIONE! fissare la fotocellula alla barriera con la vite qui illustrata (V1)
PLEASE NOTE! Fasten the photocell on the barrier using the screw (V1)
ATTENTION ! Fixez la photocellule sur la barrière avec la vis (V1)
ACHTUNG! Befestigen Sie die Fotozelle mit der Schraube (V1) an der Schranke
¡ATENCIÓN! Fijar la fotocélula a la barra con el tornillo (V1)
OPGELET! Bevestig de fotocel met de schroef (V1) aan de slagboom

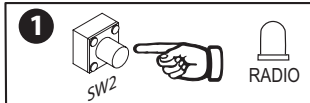


Installazione fotocellula
 Installing the photocells
 Montage des photocellules
 Installation der Fotozelle
 Instalación fotocélulas
 Installatie fotocellen

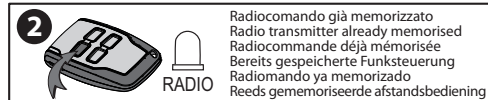
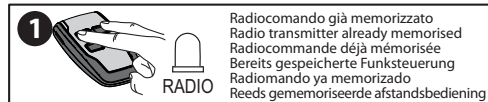


Installazione fotocellula con relativo supporto
 Installing the photocell with post mount
 Montage de la photocellule avec colonnette de support
 Installation der Fotozelle mit Säulenhalterung
 Instalación fotocélula con soporte columna
 Installatie fotocel met steunpilaar

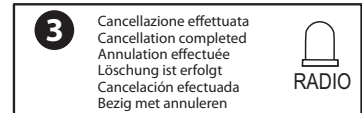
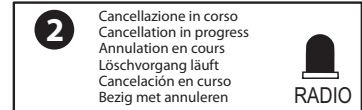
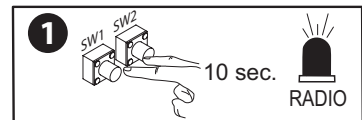
Programmazione trasmettitori manuale su 2° canale radio, *Manual transmitter programming on 2nd radio channel*, Programmation manuelle des émetteurs sur le 2ème canal radio, *Manuelle programmierung Sender auf 2 Funkkanal*, Programación manual transmisores en 2° canal radio, *Handmatige programmering zenders op 2e radiokanaal*.



Programmazione trasmettitori remota, *Remote transmitter programming*, Programmation émetteurs a distance, Fernprogrammierung der sender, Programación de transmisores remota, Programmering op afstand.



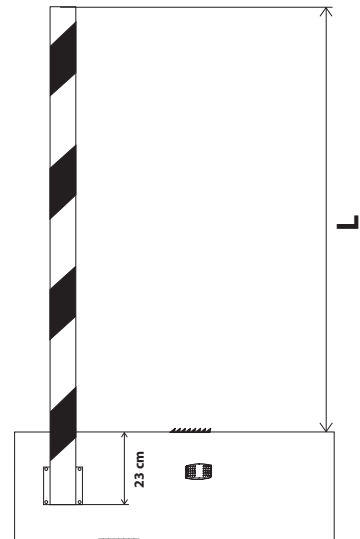
Cancellazione trasmettitori, *Transmitter cancellation*, Tion émetteurs, Löschen von sendern, Cancelación de transmisores, *Annulering zenders*.



AE

Accessori MOOVI: lunghezza utile asta e bilanciamento. / MOOVI Accessories: working length of boom and balancing. / Accessoires MOOVI: longueur utile de la barre et équilibrage. / MOOVI Zubehör: Nutzlänge Schranke und Auswuchtung. / Accesorios MOOVI: longitud útil mástil y balance. / Accessoires MOOVI: nuttige lengte slagboom en balancering.																						
SB	+ SB	+ SB	+ SB	+ SB	+ SB	+ SB	+ SB	+ SB	+ SB	+ SB	+ SB	+ SB	+ SB	+ SB	+ SB	+ SB	+ SB	+ SB	+ SB	+ SB		
PCA N (solo sopra l'asta)*1	+ PCA N	+ PCA N	+ PCA N	+ PCA N	+ PCA N	+ PCA N	+ PCA N	+ PCA N	+ PCA N	+ PCA N	+ PCA N	+ PCA N	+ PCA N	+ PCA N	+ PCA N	+ PCA N	+ PCA N	+ PCA N	+ PCA N	+ PCA N		
PCA N (solo sotto l'asta)*2																				+ PCA N		
KIT LIGHT	+ LIGHT																				+ LIGHT	
GA/GAMA AO AT	+ GA/GAMA	+ GA/GAMA	+ GA/GAMA	+ GA/GAMA	+ GA/GAMA	+ GA/GAMA	+ GA/GAMA	+ GA/GAMA	+ GA/GAMA	+ GA/GAMA	+ GA/GAMA	+ GA/GAMA	+ GA/GAMA	+ GA/GAMA	+ GA/GAMA	+ GA/GAMA	+ GA/GAMA	+ GA/GAMA	+ GA/GAMA	+ GA/GAMA	+ GA/GAMA	
BIR	+ BIR	+ BIR	+ BIR	+ BIR	+ BIR	+ BIR	+ BIR	+ BIR	+ BIR	+ BIR	+ BIR	+ BIR	+ BIR	+ BIR	+ BIR	+ BIR	+ BIR	+ BIR	+ BIR	+ BIR	+ BIR	
MOOVI 60	MIN L	6 m	3,2 m	3,2 m	3,2 m	3,3 m	3,7 m	3,8 m	4 m	4,2 m	4,3 m	4,5 m	4,8 m	3,4 m	3,4 m	3,6 m	4,1 m	4,2 m	4,4 m	4,6 m	4,7 m	5 m
	MAX L	6 m	3,5 m	3,6 m	3,7 m	4,2 m	4,3 m	4,5 m	4,7 m	4,7 m	4,8 m	5 m	5 m	3,8 m	3,8 m	4 m	4,5 m	4,6 m	4,9 m	5 m	5 m	5 m
	MIN L	4,4 m	2,4 m	2,5 m	2,6 m	2,9 m	2,9 m	2,9 m	3,1 m	3,2 m	3,3 m	3,5 m	3,7 m	2,7 m	2,8 m	2,8 m	3,2 m	3,3 m	3,4 m	3,6 m	3,7 m	3,9 m
	MAX L	5 m	3,3 m	3,3 m	3,5 m	3,9 m	4 m	4,2 m	4,4 m	4,7 m	4,7 m	5 m	5 m	3,5 m	3,6 m	3,7 m	4,2 m	4,3 m	4,5 m	4,7 m	4,9 m	5 m
MOOVI 30	MIN L		2,5 m	2,6 m	2,6 m	2,6 m	2,9 m	2,7 m	2,8 m	2,9 m				2,7 m	2,8 m	2,9 m	2,9 m					
	MAX L		3 m	3 m	3 m	3 m	3 m	3 m	3 m	3 m				3 m	3 m	3 m	3 m					
	MIN L	2,9 m	1,7 m	1,7 m	1,8 m	2,1 m	2,1 m	2,2 m	2,4 m	2,4 m	2,4 m	2,5 m	2,7 m	1,9 m	2 m	2,1 m	2,4 m	2,4 m	2,6 m	2,7 m	2,8 m	2,9 m
	MAX L	3 m	3 m	3 m	3 m	3 m	3 m	3 m	3 m	3 m	3 m	3 m	3 m	3 m	3 m	3 m	3 m	3 m	3 m	3 m	3 m	3 m

- L: Lunghezza utile asta.
L: Working boom length.
L: Longueur utile de la barre.
L: Nutzlänge der Schranke.
L: Longitud útil mástil.
L: Nuttige lengte slagboom.



- *1
(above boom only)
(uniquement sur la barre)
(nur über der Schranke)
(sólo sobre el mástil)
(alleen boven de slagboom)
- *2
(below boom only)
(uniquement sous la barre)
(nur unter der Schranke)
(sólo debajo el mástil)
(alleen onder de slagboom)

AF

INSTALLER WARNINGS

WARNING! Important safety instructions. Carefully read and comply with all the warnings and instructions that come with the product as incorrect installation can cause injury to people and animals and damage to property. The warnings and instructions give important information regarding safety, installation, use and maintenance. Keep hold of instructions so that you can attach them to the technical file and keep them handy for future reference.

GENERAL SAFETY

This product has been designed and built solely for the purpose indicated herein. Uses other than those indicated herein might cause damage to the product and create a hazard.

- The units making up the machine and its installation must meet the requirements of the following European Directives, where applicable: 2004/108/EC, 2006/95/EC, 2006/42/EC, 89/106/EC, 99/05/EC and later amendments. For all countries outside the EEC, it is advisable to comply with the standards mentioned, in addition to any national standards in force, to achieve a good level of safety.
- The Manufacturer of this product (hereinafter referred to as the "Firm") disclaims all responsibility resulting from improper use or any use other than that for which the product has been designed, as indicated herein, as well as for failure to apply Good Practice in the construction of entry systems (doors, gates, etc.) and for deformation that could occur during use.
- Installation must be carried out by qualified personnel (professional installer, according to EN 12635), in compliance with Good Practice and current code.
- Before installing the product, make all structural changes required to produce safety gaps and to provide protection from or isolate all crushing, shearing and dragging hazard areas and danger zones in general in accordance with the provisions of standards EN 12604 and 12453 or any local installation standards. Check that the existing structure meets the necessary strength and stability requirements.
- Before commencing installation, check the product for damage.
- The Firm is not responsible for failure to apply Good Practice in the construction and maintenance of the doors, gates, etc. to be motorized, or for deformation that might occur during use.
- Make sure the stated temperature range is compatible with the site in which the automated system is due to be installed.
- Do not install this product in an explosive atmosphere: the presence of flammable fumes or gas constitutes a serious safety hazard.
- Disconnect the electricity supply before performing any work on the system. Also disconnect buffer batteries, if any are connected.
- Before connecting the power supply, make sure the product's ratings match the mains ratings and that a suitable residual current circuit breaker and overcurrent protection device have been installed upline from the electrical system. Have the automated system's mains power supply fitted with a switch or omnipolar thermal-magnetic circuit breaker with a contact separation that meets code requirements.
- Make sure that upline from the mains power supply there is a residual current circuit breaker that trips at no more than 0.03A as well as any other equipment required by code.
- Make sure the earth system has been installed correctly: earth all the metal parts belonging to the entry system (doors, gates, etc.) and all parts of the system featuring an earth terminal.
- Installation must be carried out using safety devices and controls that meet standards EN 12978 and EN 12453.
- Impact forces can be reduced by using deformable edges.
- In the event impact forces exceed the values laid down by the relevant standards, apply electro-sensitive or pressure-sensitive devices.
- Apply all safety devices (photocells, safety edges, etc.) required to keep the area free of impact, crushing, dragging and shearing hazards. Bear in mind the standards and directives in force, Good Practice criteria, intended use, the installation environment, the operating logic of the system and forces generated by the automated system.
- Apply all signs required by current code to identify hazardous areas (residual risks). All installations must be visibly identified in compliance with the provisions of standard EN 13241-1.
- Once installation is complete, apply a nameplate featuring the door/gate's data.
- This product cannot be installed on leaves incorporating doors (unless the motor can be activated only when the door is closed).
- If the automated system is installed at a height of less than 2.5 m or is accessible, the electrical and mechanical parts must be suitably protected.
- Install any fixed controls in a position where they will not cause a hazard, away from moving parts. More specifically, hold-to-run controls must be positioned within direct sight of the part being controlled and, unless they are key operated, must be installed at a height of at least 1.5 m and in a place where they cannot be reached by the public.
- Apply at least one warning light (flashing light) in a visible position, and also attach a Warning sign to the structure.
- Attach a label near the operating device, in a permanent fashion, with information on how to operate the automated system's manual release.
- Make sure that, during operation, mechanical risks are avoided or relevant protective measures taken and, more specifically, that nothing can be banged, crushed, caught or cut between the part being operated and surrounding parts.
- Once installation is complete, make sure the motor automation settings are correct and that the safety and release systems are working properly.
- Only use original spare parts for any maintenance or repair work. The Firm disclaims all responsibility for the correct operation and safety of the automated system if parts from other manufacturers are used.
- Do not make any modifications to the automated system's components unless explicitly authorized by the Firm.
- Instruct the system's user on what residual risks may be encountered, on the control systems that have been applied and on how to open the system manually in an emergency. Give the user guide to the end user.
- Dispose of packaging materials (plastic, cardboard, polystyrene, etc.) in accordance with the provisions of the laws in force. Keep nylon bags and polystyrene out of reach of children.

WIRING

WARNING! For connection to the mains power supply, use: a multicore cable with a cross-sectional area of at least 5x1.5mm² or 4x1.5mm² when dealing with three-phase power supplies or 3x1.5mm² for single-phase supplies (by way of example, type H05 VV-F cable can be used with a cross-sectional area of 4x1.5mm²). To connect auxiliary equipment, use wires with a cross-sectional area of at least 0.5 mm².

- Only use pushbuttons with a capacity of 10A-250V or more.
- Wires must be secured with additional fastening near the terminals (for example, using cable clamps) in order to keep live parts well separated from safety extra low voltage parts.
- During installation, the power cable must be stripped to allow the earth wire to be connected to the relevant terminal, while leaving the live wires as short as possible. The earth wire must be the last to be pulled taut in the event the cable's fastening device comes loose.

WARNING! safety extra low voltage wires must be kept physically separate from low voltage wires.

Only qualified personnel (professional installer) should be allowed to access live parts.

CHECKING THE AUTOMATED SYSTEM AND MAINTENANCE

Before the automated system is finally put into operation, and during maintenance work, perform the following checks meticulously:

- Make sure all components are fastened securely.
- Check starting and stopping operations in the case of manual control.
- Check the logic for normal or personalized operation.
- For sliding gates only: check that the rack and pinion mesh correctly with 2 mm of play along the full length of the rack; keep the track the gate slides on clean and free of debris at all times.
- For sliding gates and doors only: make sure the gate's running track is straight and horizontal and that the wheels are strong enough to take the weight of the gate.
- For cantilever sliding gates only: make sure there is no dipping or swinging during operation.
- For swing gates only: make sure the leaves' axis of rotation is perfectly vertical.
- For barriers only: before opening the door, the spring must be decompressed (vertical boom).
- Check that all safety devices (photocells, safety edges, etc.) are working properly and that the anti-crush safety device is set correctly, making sure that the force of impact measured at the points provided for by standard EN 12445 is lower than the value laid down by standard EN 12453.
- Impact forces can be reduced by using deformable edges.
- Make sure that the emergency operation works, where this feature is provided.
- Check opening and closing operations with the control devices applied.
- Check that electrical connections and cabling are intact, making extra sure that insulating sheaths and cable glands are undamaged.
- While performing maintenance, clean the photocells' optics.
- When the automated system is out of service for any length of time, activate the emergency release (see "EMERGENCY OPERATION" section) so that the operated part is made idle, thus allowing the gate to be opened and closed manually.
- If the power cord is damaged, it must be replaced by the manufacturer or their technical assistance department or other such qualified person to avoid any risk.
- If "D" type devices are installed (as defined by EN 12453), connect in unverified mode, foresee mandatory maintenance at least every six months.
- The maintenance described above must be repeated at least once yearly or at shorter intervals where site or installation conditions make this necessary.

WARNING!

Remember that the drive is designed to make the gate/door easier to use and will not solve problems as a result of defective or poorly performed installation or lack of maintenance

SCRAPPING

Materials must be disposed of in accordance with the regulations in force. There are no particular hazards or risks involved in scrapping the automated system. For the purpose of recycling, it is best to separate dismantled parts into like materials (electrical parts - copper - aluminium - plastic - etc.).

DISMANTLING

If the automated system is being dismantled in order to be reassembled at another site, you are required to:

- Cut off the power and disconnect the whole electrical system.
- Remove the actuator from the base it is mounted on.
- Remove all the installation's components.
- See to the replacement of any components that cannot be removed or happen to be damaged.

THE DECLARATION OF CONFORMITY CAN BE VIEWED ON THIS WEBSITE: WWW.BFT.IT IN THE PRODUCT SECTION.

Anything that is not explicitly provided for in the installation manual is not allowed. The operator's proper operation can only be guaranteed if the information given is complied with. The Firm shall not be answerable for damage caused by failure to comply with the instructions featured herein.

While we will not alter the product's essential features, the Firm reserves the right, at any time, to make those changes deemed opportune to improve the product from a technical, design or commercial point of view, and will not be required to update this publication accordingly.

2) GENERAL INFORMATION

Compact electromechanical barrier suitable for enclosing private areas and car parks and for use across entrances used by vehicle traffic only. Available for entrance/exit points between 3 and 5 metres across. Adjustable electro-mechanical limit switches ensure the boom stops in the correct position. The emergency release for manual operation is operated by a lock with a personalized key. The actuator is always supplied ready for assembly on the left. Where necessary, the opening direction can always be reversed with a few simple operations. The foundation base mod. CBO (on request) can be supplied to make the barrier easier to install. Provision for accessories makes installing them straightforward, with no need to drill additional holes.

3) TECHNICAL SPECIFICATIONS

MOTOR	
Power supply:	220-230 V 50/60 Hz(*)
Max. power input:	300W
Capacitor:	8µF 450V (220-230V): 32µF 250V (110V)
Current demand (with accessories):	1,4 A: 2.8 A
Insulation class:	F
Internal lubrication:	lifetime greased
Max. torque:	85 Nm (MOOVI 30) 250 Nm (MOOVI 60)
Opening time:	4s (MOOVI 30) 8s (MOOVI 60)
Boom length:	3m max (MOOVI 30) 6m max (MOOVI 60)
Impact reaction (Safety Edge):	stop or stop and reverse
Mechanical manual release:	personalized key
Type of boom:	rectangular
Limit switches:	electric, built-in and adjustable
Type of use	semi intensive
Operating temperature range:	da -10°C a +55°C
Protection rating:	IP 24
Actuator weight (without boom):	35,6 Kg
Flashing light:	220-230V~ 25W max
Dimensions:	see fig.A
CONTROL UNIT	
Accessories power supply:	24V~(demand max. 180mA)
Fuses:	see figures I, J
Max. motor output:	500 W
Work time:	max. 10 sec.

(*)= special supply voltages to order

4.1) FOUNDATION PLATE (Fig.B1)

4.2) ANCHOR BOLTS (Fig.B2)

5) ACTUATOR ASSEMBLY

WARNING! The barrier must be used only for entrance/exit points intended for vehicle traffic. Pedestrians must not be allowed to pass within range of the automated system. Make sure there is a separate entrance/exit just for pedestrians.

The entrance/exit must be suitably signposted with the compulsory signs illustrated in Fig.A.

WARNING: before opening the door, the spring must be decompressed (vertical boom). The door in the cabinet must face towards the inside of the property. Standing in the middle of the entrance, facing out, if the cabinet is on your left, the barrier is on your left: if the cabinet is on your right, the barrier is on your right.

The actuator is always supplied ready for assembly on the left.

6) Assembly on left (Fig. A, B, C, D).

- Balance the boom as illustrated in Fig. AB.

7) Assembly on right (Fig. AA).

- Balance the boom as illustrated in Fig. AB.

8) Boom assembly (Fig. D).

9) BOOM BALANCING (Fig. AB).

For Moovi 30:

WARNING! During the closing operation, the balancing spring must never be fully compressed. Fig.AB rif.3 shows the position for determining the minimum size that the compressed spring can be allowed to reach with the boom in the open position (vertical).

10) MOOVI accessories (boom length limits and balancing) (Fig. AF)

For further information on installing and using the accessories, refer to the relevant instruction manual.

11) FITTING THE FLASHING LIGHT (FIG.AC)

Complete assembly and wiring as directed in instructions provided for the flashing light

12) FITTING THE PHOTOCELL (FIG. AD).

Complete assembly as directed in instructions provided for the photocell

13) ADJUSTING THE LIMIT SWITCHES (Fig. G)

14) PREPARING THE ELECTRICAL SYSTEM

WARNING: before opening the door, the spring must be decompressed (vertical boom). Prepare the electrical system (fig. A), referring to the standards in force. Keep mains power connections well separated from service connections (photocells, safety edges, control devices, etc.).

WARNING! For connection to the mains power supply, use a multicore cable with a cross-section of at least 3x1.5mm² of the kind provided for by the regulations mentioned above (by way of example, if the cable is not protected, it must be rated H07 RN-F or higher, while if it is protected it must be rated at least H05 VV-F with a cross-section of 3x1.5mm²).

15) WIRING (FIG. F, I, J)

WARNING: Wiring must be carried out by qualified, expert personnel in a professional manner and in accordance with all regulations in force, using appropriate materials.

BORNE	DESCRIPTION
1-2	Power supply 220-230 V 50/60 Hz (Neutral to terminal 1).
3-4-5	Motor M connection (terminal 4 common, terminals 3-5 motor start and capacitor).
1-4	220-230V flashing light connection
7-8	START input or key selector (N.O.) with trimmer TW=max. OPEN input (N.O.) with trimmer TW=min.
7-9	STOP button (N.C.). If not used, leave jumpered.
7-10	Photocell or pneumatic safety edge input (N.C.). If not used, leave jumpered.
7-11	Opening limit switch (N.C.). If not used, leave jumpered.
7-12	Closing limit switch (N.C.). If not used, leave jumpered.
13-14	24 V~output to supply photocell and other devices.
15-16	Output for barrier open light / 2nd radio channel.
17-18	Antenna receiver input (17 signal 18 braiding).
19-20	PEDESTRIAN input (N.O.) with trimmer TW=max. CLOSE input (N.O.) with trimmer TW=min.
JP4	1-2 channel radio-receiver board connector.

16) ADJUSTMENTS

RECOMMENDED ADJUSTMENT SEQUENCE:
Adjusting the limit switches (Fig. G)
Programming transmitters (Fig. H)
Setting of parameters/logic, where necessary

16.1) LEDs (Fig. J)





ALPHA-ALPHA BOM control panels feature a series of self-diagnosis LEDs via which all functions can be monitored. LED functions are as follows:

LED	DESCRIPTION
DL1	Built-in radio receiver LED.
DL2	START (trimmer TW=max) - lights when START command given OPEN (trimmer TW=min) - lights when OPEN command given
DL3	STOP - goes off when Stop command given.
DL4	PHOT - goes off when photocells are not aligned or when there is an obstacle.

DL5	SWO - goes off when opening limit switch command given.
DL6	SWC - goes off when closing limit switch command given.

16.2) DIP SWITCHES (DIP SWITCH TABLE "A") (Fig. J)

16.3) TRIMMERS (Fig. J)

TRIMMER	ADJUSTMENTS	DESCRIPTION
TCA	 0 sec.	(Dip1 - TCA set to ON). Adjusts automatic closing time, following which the barrier closes automatically (adjustable in range 0 to 90 sec.).
	 90 sec.	
TW	 min.	Inputs 7-8 and 19-20 are taken respectively to mean OPEN and CLOSE.
	 max.	Inputs 7-8 and 19-20 are taken respectively to mean Start and Pedestrian.

17) BUILT-IN RECEIVER

Receiver's output channels:

- Output channel 1, if activated, gives the START command.
- Output channel 2, if activated, commands the 2nd radio channel relay to energize for 1 sec..

Usable transmitter versions:

All ROLLING CODE transmitters compatible with



17.1) INSTALLING THE ANTENNA

Use an antenna tuned to 433MHz.

Use RG58 coax cable to connect the Antenna and Receiver.

Metal bodies close to the antenna can interfere with radio reception. If the transmitter's range is limited, move the antenna to a more suitable position.

17.2) PROGRAMMING

Transmitters can be memorized in manual mode, in remote mode (DIP 6 = ON) or by means of the universal handheld programmer, which means installations can be created in "receiver community" mode and the installation's complete database can be managed via the EEdbase software.

17.3) MANUAL PROGRAMMING (Fig. H, AE)

In the case of standard installations in which advanced features are not required, transmitters can be memorized manually.

- 1) If you want the transmitter's T key to be memorized as the start key, press the SW1 button on the control panel. Alternatively, if you want the transmitter's T key to be memorized as the second radio channel, press the SW2 button on the control panel
- 2) When LED DL1 flashes, press the transmitter's hidden key P1. LED DL1 will stay steadily lit.
- 3) Press the key of the transmitter to be memorized, LED DL1 will start flashing again.
- 4) To memorize another transmitter, repeat steps 2) and 3).
- 5) To exit memorizing mode, wait for the LED to go off completely.

IMPORTANT NOTE: THE FIRST TRANSMITTER MEMORIZED MUST BE IDENTIFIED BY ATTACHING THE KEY LABEL (master).

In the event of manual programming, the first transmitter assigns the key code to the receiver: this code is required to subsequently clone the radio transmitters.

17.4) REMOTE PROGRAMMING (DIP SW 6= ON).

- 1) Press the hidden key of a transmitter that has already been memorized in standard mode via manual programming.
- 2) Press the normal key (T1-T2-T3-T4) of a transmitter that has already been memorized in standard mode via manual programming.
- 3) LED DL1 flashes. Press within 10 sec. the hidden key of a transmitter to be memorized.
- 4) LED DL1 is steadily lit. Press the normal key (T1-T2-T3-T4) of a transmitter to be memorized.

The receiver exits programming mode after 10 sec.: you can use this time to enter other new transmitters.

This mode does not require access to the control panel.

17.5) ERASING THE CONTROL PANEL'S MEMORY (Fig. AE)

To erase the control panel's memory completely, hold down the SW1 and SW2 buttons on the control panel at the same time for 10 seconds (LED DL1 flashes). When LED DL1 is steadily lit it means the memory has been erased correctly. To exit memorizing mode, wait for the LED to go off completely.

18) EMERGENCY RELEASE (Fig. Y)

WARNING: When needing to activate the release in an actuator without a boom, make sure the balancing spring is not compressed (boom in opening position).

19) TROUBLESHOOTING.

19.1) Boom fails to open. Motor not running.

WARNING: before opening the door, the spring must be decompressed (vertical boom).

- 1) Make sure the photocells are not dirty, misaligned or have had their beam broken.
- 2) Check that the motor is connected properly.
- 3) Make sure power is being supplied correctly to electronic equipment. Check for blown fuses. If a fuse is malfunctioning, remove and replace as illustrated in Fig. I, J.
- 4) If the panel is not working, replace it.
- 5) Grease the spring guide tie rods if you encounter noise or vibrations.

20.2) Boom fails to open. Motor running but there is no movement.

- 1) Manual release is still engaged. Reset to motorized operation.
- 2) If the release is in the motorized operation position, check the gearbox for damage.

17.2) TABLE A: DIP SWITCH

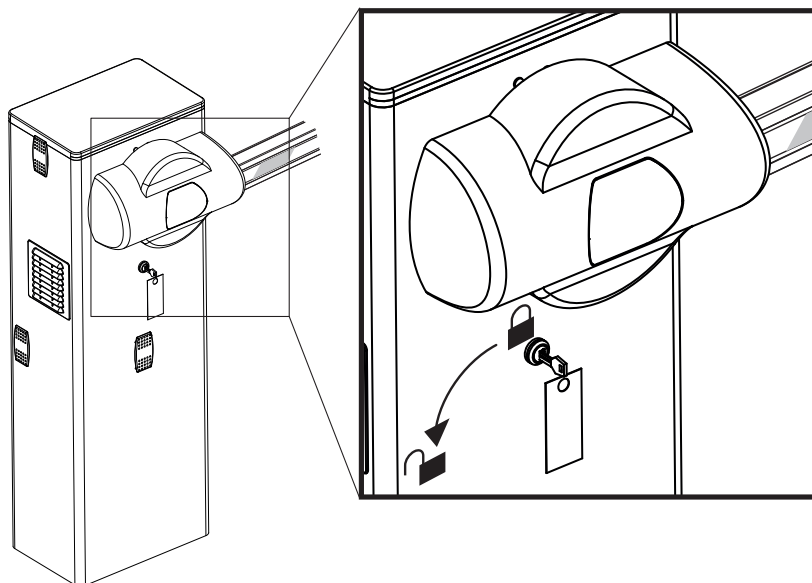
DIP	Default	Definition	Cross out setting used	Description
DIP 1	ON	TCA- Automatic closing time.	ON	Automatic closing ON.
			OFF	Automatic closing OFF.
DIP 2	ON	FCH- Photocells.	ON	Photocells active during closing only.
			OFF	Photocells active during closing and opening.
DIP 3	OFF	BLI - Block Pulses.	ON	START commands not accepted during opening.
			OFF	START commands accepted during opening.
DIP 4	OFF	3P/4P - 3 steps or 4 steps.	ON	Switches to 3-step logic.
			OFF	Switches to 4-step logic.
DIP 5	OFF	CODE FIX - Fixed code.	ON	Activates built-in receiver in fixed-code mode.
			OFF	Activates built-in receiver in rolling-code mode.
DIP 6	OFF	RADIO LEARN - Transmitter programming.	ON	Enables wireless memorizing of transmitters (Sect. "Remote Programming").
			OFF	Disables wireless memorizing of transmitters. Transmitters are memorized only by means of manual programming.
DIP 7	OFF	SCA- Gate open light or 2nd radio channel.	ON	Activates relay output as 2nd radio channel.
			OFF	Activates relay output in Gate open light mode.
DIP 8	OFF	FAST CLOSE	ON	Closes barrier after the photocells are cleared before waiting for the set TCA to elapse.
			OFF	Command not enabled.

17.2) TABEL "A" DIP SWITCH

DIP	Default	Definitie	Uitgevoerde instelling aanvinken	Beschrijving
DIP 1	ON	TCA - Tijd automatische sluiting.	ON	Automatische sluiting ingeschakeld.
			OFF	Automatische sluiting uitgesloten.
DIP 2	ON	FCH - Fotocellen.	ON	Fotocellen alleen bij sluiting actief.
			OFF	Fotocellen bij opening en sluiting actief.
DIP 3	OFF	BLI - Blokkering impulsen.	ON	Tijdens de openingsfase worden de START-commando's geaccepteerd.
			OFF	START commands accepted during opening.
DIP 4	OFF	3P/4P - 3-staps of 4-staps.	ON	Activeert de 3-staps logica.
			OFF	Activeert de 4-staps logica.
DIP 5	OFF	CODE FIX - vaste code.	ON	Activeert de geïntegreerde ontvanger in modus vaste code.
			OFF	Activeert de geïntegreerde ontvanger in modus rolling-code.
DIP 6	OFF	RADIO LEARN - Programmering zenders.	ON	Hiermee wordt de opslag van de zenders via radio geactiveerd (Par. "Programmering op Afstand").
			OFF	Hiermee wordt de opslag van de zenders via radio gedeactiveerd. De zenders worden alleen opgeslagen door middel van handmatige programmering.
DIP 7	OFF	SCA - Verklikkerlichtsignaal open barrière of 1le radiokanaal.	ON	Hiermee wordt de relaisuitgang als 2e radiokanaal geactiveerd.
			OFF	Hiermee wordt de relaisuitgang in modus Verklikkerlichtsignaal open barrière geactiveerd.
DIP 8	OFF	FAST CLOSE	ON	Sluit de barrière na de vrijgave van de fotocellen, alvorens te wachten op het einde van de ingestelde TCA.
			OFF	Besturing niet ingeschakeld.

MANUALE D'USO: MANOVRA MANUALE - USER'S MANUAL: MANUAL OPERATION-
 MANUEL D'UTILISATION: MANŒVRE MANUELLE - BEDIENUNGSANLEITUNG: MANUELLES MANÖVER-
 MANUAL DE USO: ACCIONAMIENTO MANUAL - GEBRUIKSHANDLEIDING: MANUEEL MANOEUVRE

Fig. Y



MANUALE - MANUAL - MANUEL
 BEDIENUNGSANLEITUNG - MANUAL - HANDMATIG



AUTOMATICO - AUTOMATIC - AUTOMATIQUE
 AUTOMATIK - AUTOMÁTICO - AUTOMATISCH

AVVERTENZE PER L'UTILIZZATORE (1)

ATTENZIONE! Importanti istruzioni di sicurezza. Leggere e seguire attentamente le Avvertenze e le Istruzioni che accompagnano il prodotto poiché un uso improprio può causare danni a persone, animali o cose. Conservare le istruzioni per consultazioni future e trasmetterle ad eventuali subentranti nell'uso dell'impianto. Questo prodotto dovrà essere destinato solo all'uso per il quale è stato espressamente installato. Ogni altro uso è da considerarsi improprio e quindi pericoloso. Il costruttore non può essere considerato responsabile per eventuali danni causati da usi impropri, erronei

e irragionevoli.

SICUREZZA GENERALE

Nel ringraziarVi per la preferenza accordata a questo prodotto, la Ditta è certa che da esso otterrete le prestazioni necessarie al Vostro uso. Questo prodotto risponde alle norme riconosciute della tecnica e della disposizioni relative alla sicurezza se correttamente installato da personale qualificato ed esperto (installatore professionale). L'automazione, se installata ed utilizzata correttamente, soddisfa gli standard di sicurezza nell'uso. Tuttavia è opportuno osservare alcune regole di comportamento per evitare inconvenienti accidentali:



- Tenere bambini, persone e cose fuori dal raggio d'azione dell'automazione, in particolare durante il movimento.
 - Non permettere a bambini di giocare o sostare nel raggio di azione dell'automazione.
 - Questa automazione non è destinata all'uso da parte di bambini o da parte di persone con ridotte capacità mentali, fisiche e sensoriali, o persone che mancano di conoscenze adeguate a meno che esse non abbiano potuto beneficiare, attraverso l'intermediazione di una persona responsabile della loro sicurezza, di una sorveglianza o di istruzioni riguardanti l'uso dell'apparecchio.
 - I bambini devono essere sorvegliati per sincerarsi che non giochino con l'apparecchio. Non permettere ai bambini di giocare con i controlli fissi. Tenere i telecomandi lontani dai bambini.
 - Evitare di operare in prossimità delle cerniere o organi meccanici in movimento.
 - Non contrastare il movimento dell'anta e non tentare di aprire manualmente la porta se non è stato sbloccato l'attuatore con l'apposita manopola di sblocco.
 - Non entrare nel raggio di azione della porta o cancello motorizzati durante il loro movimento.
 - Non lasciare radiocomandi o altri dispositivi di comando alla portata dei bambini onde evitare azionamenti involontari.
 - L'attivazione dello sblocco manuale potrebbe causare movimenti incontrollati della porta se in presenza di guasti meccanici o di condizioni di squilibrio.
 - In caso di apritapparelle: sorvegliare la tapparella in movimento e tenere lontano le persone finché non è completamente chiusa. Porre cura quando si aziona lo sblocco se presente, poiché una tapparella aperta potrebbe cadere rapidamente in presenza di usura o rotture.
 - La rottura o l'usura di organi meccanici della porta (parte guidata), quali ad esempio cavi, molle, supporti, cardini, guide... potrebbe generare pericoli. Far controllare periodicamente l'impianto da personale qualificato ed esperto (installatore professionale) secondo quanto indicato dall'installatore o dal costruttore della porta.
 - Per ogni operazione di pulizia esterna, togliere l'alimentazione di rete.
 - Tenere pulite le ottiche delle fotocellule ed i dispositivi di segnalazione luminosa. Controllare che rami ed arbusti non disturbino i dispositivi di sicurezza.
 - Non utilizzare l'automatismo se necessita di interventi di riparazione. In caso di guasto o di malfunzionamento dell'automazione, togliere l'alimentazione di rete sull'automazione, astenersi da qualsiasi tentativo di riparazione o intervento diretto e rivolgersi solo a personale qualificato ed esperto (installatore professionale) per la necessaria riparazione o manutenzione. Per consentire l'accesso, attivare lo sblocco di emergenza (se presente).
 - Per qualsiasi intervento diretto sull'automazione o sull'impianto non previsto dal presente manuale, avvalersi di personale qualificato ed esperto (installatore professionale).
 - Con frequenza almeno annuale far verificare l'integrità e il corretto funzionamento dell'automazione da personale qualificato ed esperto (installatore professionale), in particolare di tutti i dispositivi di sicurezza.
 - Gli interventi d'installazione, manutenzione e riparazione devono essere documentati e la relativa documentazione tenuta a disposizione dell'utilizzatore.
 - Il mancato rispetto di quanto sopra può creare situazioni di pericolo.
- Tutto quello che non è espressamente previsto nel manuale d'uso, non è permesso. Il buon funzionamento dell'operatore è garantito solo se vengono rispettate le prescrizioni riportate in questo manuale. La Ditta non risponde dei danni causati dall'inosservanza delle indicazioni riportate in questo manuale.**
- Lasciando inalterate le caratteristiche essenziali del prodotto, la Ditta si riserva di apportare in qualunque momento le modifiche che essa ritiene convenienti per migliorare tecnicamente, costruttivamente e commercialmente il prodotto, senza impegnarsi ad aggiornare la presente pubblicazione.**

USER WARNINGS (GB)

WARNING! Important safety instructions. Carefully read and comply with the Warnings and Instructions that come with the product as improper use can cause injury to people and animals and damage to property. Keep the instructions for future reference and hand them on to any new users.

This product is meant to be used only for the purpose for which it was explicitly installed. Any other use constitutes improper use and, consequently, is hazardous. The manufacturer cannot be held liable for any damage as a result of improper, incorrect or unreasonable use.

GENERAL SAFETY

Thank you for choosing this product. The Firm is confident that its performance will meet your operating needs.

This product meets recognized technical standards and complies with safety provisions when installed correctly by qualified, expert personnel (professional installer).

If installed and used correctly, the automated system will meet operating safety standards. Nonetheless, it is advisable to observe certain rules of behaviour so that accidental problems can be avoided:

- Keep adults, children and property out of range of the automated system, especially while it is moving.
- Do not allow children to play or stand within range of the automated system.
- This automated system is not meant for use by children or by people with impaired mental, physical or sensory capacities, or people who do not have suitable knowledge, unless a person who is responsible for their safety provides them with necessary supervision or instructions on how to use the device.
- Children must be supervised to ensure they do not play with the device. Do not allow children to play with the fixed controls. Keep remote controls out of reach of children.
- Do not work near hinges or moving mechanical parts.
- Do not hinder the leaf's movement and do not attempt to open the door manually unless the actuator has been released with the relevant release knob.
- Keep out of range of the motorized door or gate while they are moving.
- Keep remote controls or other control devices out of reach of children in order to avoid the automated system being operated inadvertently.
- The manual release's activation could result in uncontrolled door movements if there are mechanical faults or loss of balance.
- When using roller shutter openers: keep an eye on the roller shutter while it is moving and keep people away until it has closed completely. Exercise care when activating the release, if such a device is fitted, as an open shutter could drop quickly in the event of wear or breakage.
- The breakage or wear of any mechanical parts of the door (operated part), such as cables, springs, supports, hinges, guides... may generate a hazard. Have the system checked by qualified, expert personnel (professional installer) at regular intervals according to the instructions issued by the installer or manufacturer of the door.
- When cleaning the outside, always cut off mains power.
- Keep the photocells' optics and illuminating indicator devices clean. Check that no branches or shrubs interfere with the safety devices.
- Do not use the automated system if it is in need of repair. In the event the automated system breaks down or malfunctions, cut off mains power to the system; do not attempt to repair or perform any other work to rectify the fault yourself and instead call in qualified, expert personnel (professional installer) to perform the necessary repairs or maintenance. To allow access, activate the emergency release (where fitted).
- If any part of the automated system requires direct work of any kind that is not contemplated herein, employ the services of qualified, expert personnel (professional installer).
- At least once a year, have the automated system, and especially all safety devices, checked by qualified, expert personnel (professional installer) to make sure that it is undamaged and working properly.
- A record must be made of any installation, maintenance and repair work and the relevant documentation kept and made available to the user on request.
- Failure to comply with the above may result in hazardous situations.

Anything that is not explicitly provided for in the user guide is not allowed. The operator's proper operation can only be guaranteed if the instructions given herein are complied with. The Firm shall not be answerable for damage caused by failure to comply with the instructions featured herein.

While we will not alter the product's essential features, the Firm reserves the right, at any

time, to make those changes deemed opportune to improve the product from a technical, design or commercial point of view, and will not be required to update this publication accordingly.

AVERTISSEMENTS POUR L'UTILISATEUR (F)

ATTENTION ! Instructions de sécurité importantes. Veuillez lire et suivre attentivement tous les avertissements et toutes les instructions fournis avec le produit sachant qu'un usage incorrect peut provoquer des préjudices aux personnes, aux animaux ou aux biens. Veuillez conserver les instructions pour d'autres consultations et pour les transmettre aux propriétaires futurs éventuels.

Cet appareil ne peut être destiné qu'à l'usage pour lequel il a été expressément installé. Tout autre usage sera considéré comme impropre et donc dangereux. Le fabricant ne sera en aucun cas considéré comme responsable des préjudices dus à un usage impropre, erroné ou déraisonné.

SECURITE GÉNÉRALE

Nous vous remercions d'avoir choisi ce produit qui, nous n'en doutons pas, saura vous garantir les performances attendues.

Ce produit, correctement installé par du personnel qualifié et expérimenté (monteur professionnel) est conforme aux normes reconnues de la technique et des prescriptions de sécurité. Si l'automatisation est montée et utilisée correctement, elle garantit la sécurité d'utilisation prescrite. Il est cependant nécessaire de respecter certaines règles de comportement pour éviter tout inconvénient accidentel.

- Tenir les enfants, les personnes et les objets à l'écart du rayon d'action de l'automatisation, en particulier pendant son fonctionnement.
- Empêcher les enfants de jouer ou de stationner dans le rayon d'action de l'automatisation.
- Cette automatisation n'est pas destinée à être utilisée par des enfants, des personnes ayant des capacités mentales, physiques et sensorielles réduites ou des personnes ne disposant pas des connaissances nécessaires à moins de disposer, par l'entremise d'une personne responsable de leur sécurité, d'une surveillance ou d'instructions sur l'usage de l'appareil.
- Les enfants doivent être surveillés afin de s'assurer qu'ils ne jouent pas avec l'appareil. Interdire aux enfants de jouer avec les contrôles fixes. Ranger les télécommandes hors de portée des enfants.
- Éviter d'opérer à proximité des charnières ou des organes mécaniques en mouvement.
- Ne pas s'opposer volontairement au mouvement du vantail et ne pas tenter d'ouvrir la porte à la main si le déclencheur n'est pas déverrouillé avec le levier de déverrouillage prévu à cet effet.
- Ne pas entrer dans le rayon d'action du portail/de la porte motorisé/e pendant son mouvement.
- Ranger les radiocommandes ou les autres dispositifs de commande hors de portée des enfants afin d'éviter tout actionnement involontaire.
- L'activation du déverrouillage manuel risque de provoquer des mouvements incontrôlés de la porte en présence de pannes mécaniques ou de conditions de déséquilibre.
- Avec les ouvre-stores: surveiller le store en mouvement et veiller à ce que les personnes restent à l'écart tant qu'il n'est pas complètement fermé. Actionner l'éventuel déverrouillage avec prudence car si un store reste ouvert il peut tomber brutalement s'il est utilisé ou cassé.
- La rupture ou l'usure des organes mécaniques de la porte (partie guidée), tels que les câbles, les ressorts, les supports et les gonds peuvent générer des risques. Faire contrôler périodiquement l'installation par du personnel qualifié et expérimenté (monteur professionnel), conformément aux indications du monteur ou du fabricant de la porte.
- Mettre hors tension avant d'accomplir les opérations de nettoyage extérieur.
- Veiller à la propreté des lentilles des photocellules et des lampes de signalisation. Veiller à ce que les dispositifs de sécurité ne soient pas gênés par des branches ou des arbustes.
- Ne pas utiliser l'automatisation si elle a besoin d'être réparée. En cas de panne ou de mauvais fonctionnement de l'automatisation, mettre l'automatisation hors tension, éviter toute tentative de réparation ou d'intervention directe et s'adresser uniquement à du personnel qualifié et expérimenté (monteur professionnel) pour la réparation ou les opérations d'entretien nécessaires. Pour permettre l'accès, activer le déverrouillage d'urgence (s'il y en a un).
- Pour toutes les interventions directes sur l'automatisation ou sur l'installation non prévues dans le présent manuel, s'adresser uniquement à du personnel qualifié et expérimenté (monteur professionnel).
- Une fois par an au moins, faire vérifier le bon état et le bon fonctionnement de l'automatisation par du personnel qualifié et expérimenté (monteur professionnel) et en particulier tous les dispositifs de sécurité.
- Les interventions de montage, d'entretien et de réparation doivent être documentées et cette documentation doit être tenue à la disposition de l'utilisateur.
- Le non respect des prescriptions ci-dessus peut être à l'origine de dangers.

Tout ce qui n'est pas expressément prévu dans le manuel de montage est interdit. Le bon fonctionnement de l'appareil n'est garanti que si les données indiquées sont respectées. Le Fabricant ne répond pas des dommages provoqués par l'observation des indications données dans ce manuel.

En laissant inaltérées les caractéristiques essentielles de l'appareil, l'entreprise se réserve le droit d'apporter à tout moment les modifications qu'elle jugera opportunes pour améliorer le produit du point de vue technique, commercial et de sa construction, sans s'engager à mettre à jour la présente publication.

HINWEISE FÜR DEN BENUTZER (D)

ACHTUNG! Wichtige Hinweise zur Sicherheit. Bitte lesen und befolgen Sie aufmerksam die Hinweise sowie die Bedienungsanleitung, die das Produkt begleiten, denn eine falsche Benutzung des Produkts kann zu Verletzungen von Menschen und Tieren sowie zu Sachschäden führen. Bitte bewahren Sie die Anweisungen für die zukünftige Konsultation sowie für eventuelle zukünftige Benutzer der Anlage auf.

Dieses Produkt ist ausschließlich für den Einsatz bestimmt, für den es ausdrücklich installiert worden ist. Alle sonstigen Einsatzweisen gelten als Zweckentfremdung und somit als gefährlich. Der Hersteller kann nicht für eventuelle Schäden haftbar gemacht werden, die auf Zweckentfremdung oder unsachgemäße Verwendung zurückzuführen sind.

ALLGEMEINE SICHERHEIT

Wir danken Ihnen dafür, dass Sie diesem Produkt den Vorzug gegeben haben, und sind sicher, dass Sie mit ihm die für Ihre Anwendung erforderlichen Leistungen erzielen werden.

Dieses Produkt entspricht den anerkannten Normen der Technik sowie den Sicherheitsbestimmungen, falls es von qualifiziertem Fachpersonal (professioneller Installateur) ordnungsgemäß installiert wird.

Bei ordnungsgemäßer Installation und Benutzung erfüllt die Automatisierung die geforderten Sicherheitsstandards. Dennoch sollten einige Verhaltensregeln beachtet werden, um Zwischenfälle zu vermeiden:

- Halten Sie Kinder, Personen und Sachen aus dem Wirkungsbereich der Automatisierung fern, vor allem während der Bewegung.
- Verhindern Sie, dass sich Kindern im Aktionsradius der Automatisierung aufhalten oder dort spielen.
- Diese Automatisierung ist nicht für die Benutzung durch Kinder, Personen mit eingeschränkten geistigen, körperlichen oder sensorischen Fähigkeiten oder Personen ohne angemessene Kenntnisse vorgesehen, es sei denn, sie werden durch ihren Sicherheitsbeauftragten überwacht oder in die Benutzung der Vorrichtung eingewiesen.
- Kinder müssen überwacht werden, um sicherzustellen, dass sie nicht mit der Vorrichtung spielen. Stellen Sie sicher, dass die Kinder nicht mit den festen Bedienelementen spielen. Halten Sie die Fernbedienungen von Kindern fern.
- Vermeiden Sie Arbeiten in der Nähe der Scharniere oder der beweglichen Bauteile.
- Halten Sie die Bewegung der Tür nicht auf und versuchen Sie nicht, die Tür von Hand zu öffnen, wenn der Trieb nicht mit dem entsprechenden Entsperrehebel entsperert worden ist.
- Halten Sie sich während der Bewegung aus dem Aktionsradius der Tür oder des motorisierten